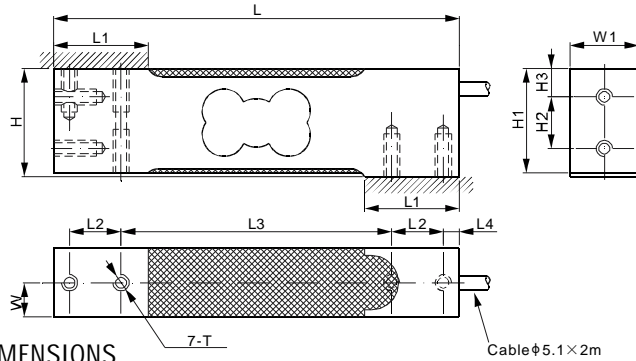
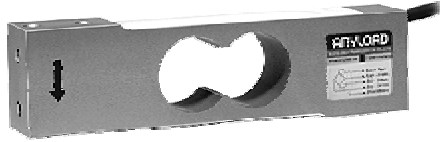


108TA; 108TAUN



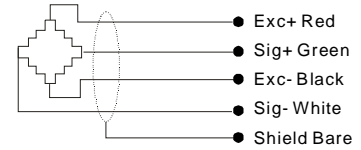
Aluminum



RATED CAPACITY		H	H1	H2	H3	L	L1	L2	L3	L4	W	W1	T
108TAUN:													
kg/mm	3...200	40.0	38.5	19.1	10.5	150.0	35.0	19.1	100.0	5.9	12.7	25.4	1/4-20UNC-2B Depth16
lb/inches (conversion of above dimensions)	6.61...440.92	1.57	1.52	0.75	0.41	5.91	1.38	0.75	3.94	0.23	0.50	1.00	1/4-20UNC-2B Depth0.6
108TA:													
kg/mm	3...200	40.0	38.5	19.1	10.5	150.0	35.0	19.1	100.0	5.9	12.7	25.4	M6 Depth16
lb/inches (conversion of above dimensions)	6.61...440.92	1.57	1.52	0.75	0.41	5.91	1.38	0.75	3.94	0.23	0.50	1.00	M6 Depth0.6

SPECIFICATIONS

Type		YZ108	
Accuracy class		OIML	C3
	Cert. No./Lab.	R60/2000-CN-03.06 / China	
	NTEP	-	NTEP 1:5 000 Class III, single cell
	Cert. No./Lab.	-	07-024 / NCWM
Rated Capacity	kg	3; 5; 7; 10; 15	20; 30; 50; 75; 100; 150; 200
Weight (G), approx.	kg/lb	0.4 / 0.9	
Reference Max. Platform Size	mm	400 x 450	
Full Scale Output	mV/V	2 ± 10%	
Zero Balance	mV/V	± 0.06	
Non-linearity *	%	< ± 0.017	
Repeatability *	%	< ± 0.017	
Hysteresis Error *	%	< ± 0.017	
Creep in 30 min.	%	< ± 0.023	
Bridge Resistance	Ω	415 ± 15	
Rated Excitation	V(DC/AC)	10 (15V Maximum)	
Insulation Resistance	G Ω	> 1 [50 VDC]	
Nominal Temperature Range	°C/°F	-10 to 40 / 14 to 104	
Safe Overload	% of full scale	150	
Breaking Overload	% of full scale	300	
Seal Type		Environmentally-sealed, IP66	
Reference Mounting		Socket-head cap screw: M6-8.8 Tightening torque: 6Nm	Socket-head cap screw: M6-10.9 Tightening torque: 10Nm



* The data for deviation of linearity, repeatability and hysteresis error meets the requirements according to OIML R60 or NTEP 1:5 000 Class III, Single Cell

SINGLE POINTS

INTERCHANGEABLE PRODUCTS

Manufacturer	Model
108TA	
Flintec.....	PC42 (20~150kg)**
HBM.....	PW15A***
Vishay Revere Transducers.....	642C
108TAUN	
Cardinal.....	TSP
HBM.....	PW15***
HBM.....	SP4
Rice Lake.....	RL1042
Rice Lake.....	RL1385***
Rice Lake.....	RLSP4
Vishay Revere Transducers.....	642
Vishay Tedea-Huntleigh.....	1042
Vishay Tedea-Huntleigh.....	1140***

** Flintec PC42-200kg is of M8

*** HBM PW15 and PW15A, Rice Lake RL1385 and Tedea 1140 are of stainless steel construction

www.anyload.net

www.load-cell.com