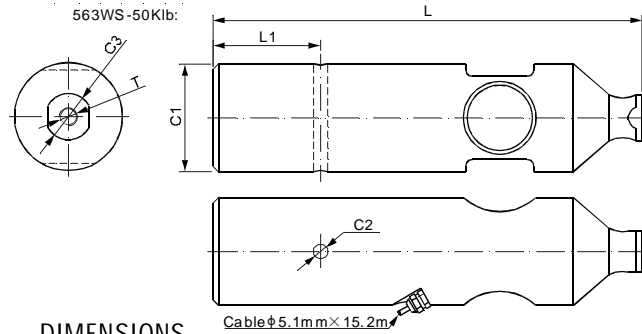
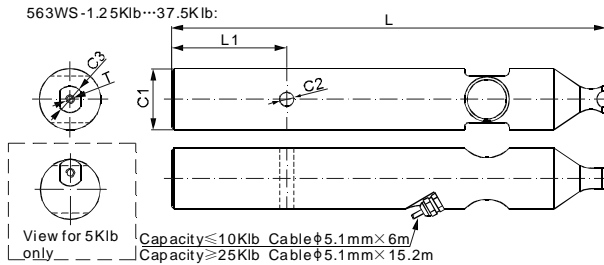


# 563WS



## Stainless Steel

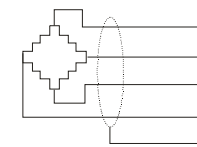
SINGLE ENDED BEAMS



### DIMENSIONS

RATED CAPACITY	C1	C2	C3	L	L1	T
lb/inches						
1,250	1.25 DIA	0.31 DIA	0.63 DIA	11.50	3.00	#8-32
2,500	1.62 DIA	0.37 DIA	0.70 DIA	11.50	3.00	#6-32
5,000	2.00 DIA	0.37 DIA	0.88 DIA	10.88	3.05	#8-32
10,000	2.50 DIA	0.37 DIA	0.88 DIA	12.63	3.05	#8-32
25,000...37,500	3.50 DIA	0.50 DIA	1.75 DIA	14.88	3.05	5/16-18
50,000	3.74 DIA	0.50 DIA	1.61 DIA	14.88	3.74	5/8-16
kg/mm (con version of above dimensions)						
567	31.8 DIA	7.9 DIA	16.0 DIA	292.1	76.2	#8-32
1,134	41.1 DIA	9.5 DIA	17.8 DIA	292.1	76.2	#6-32
2,268	50.8 DIA	9.5 DIA	22.4 DIA	276.4	77.5	#8-32
4,535.9	63.5 DIA	9.5 DIA	22.4 DIA	320.8	77.5	#8-32
11,339.8...17,009.7	88.9 DIA	12.7 DIA	44.5 DIA	378.0	77.5	5/16-18
22,679.6	95.0 DIA	12.7 DIA	40.9 DIA	378.0	95.0	5/8-16

SPECIFICATIONS					
Rated Capacity	lb	1.25K	2.5K	5K; 10K; 25K	37.5K; 50K
Weight (G), approx.	kg/lb	-	3 / 6	-	18 / 39
Full Scale Output	mV/V	2.0 ± 1%			3.0 ± 1%
Zero Balance	mV/V	± 0.06			
Non-linearity	%	< ± 0.023			
Repeatability	%	< ± 0.023			
Hysteresis Error	%	< ± 0.023			
Creep in 30 min.	%	< ± 0.030			
Bridge Resistance	$\Omega$	350 ± 7			
Rated Excitation	V(DC/AC)	10 (15V Maximum)			
Insulation Resistance	G $\Omega$	> 2 [ 50 VDC ]			
Nominal Temperature Range	°C/°F	-10 to 40 / 14 to 104			
Safe Overload	% of full scale	150			
Breaking Overload	% of full scale	300			
Seal Type		Environmentally-sealed, IP67			



- Exc+ Red
- Sig+ Green
- Exc- Black
- Sig- White
- Shield Bare

### AVAILABLE OPTIONS

- Service temperature range up to 120°C [248°F]
- 6-wire circuit

### INTERCHANGEABLE PRODUCTS

Manufacturer	Model
Avery Weigh-Tronix ....Weigh Bar 14702	(563WS-1.25Klb)
	14703 (563WS-2.5Klb)
	13798 (563WS-5Klb)
	13851 (563WS-10Klb)
	18834/17604 (563WS-25Klb)
	18824 (563WS-37.5Klb)
	50104 (563WS-50Klb)
Rice Lake.....	RL75000SS