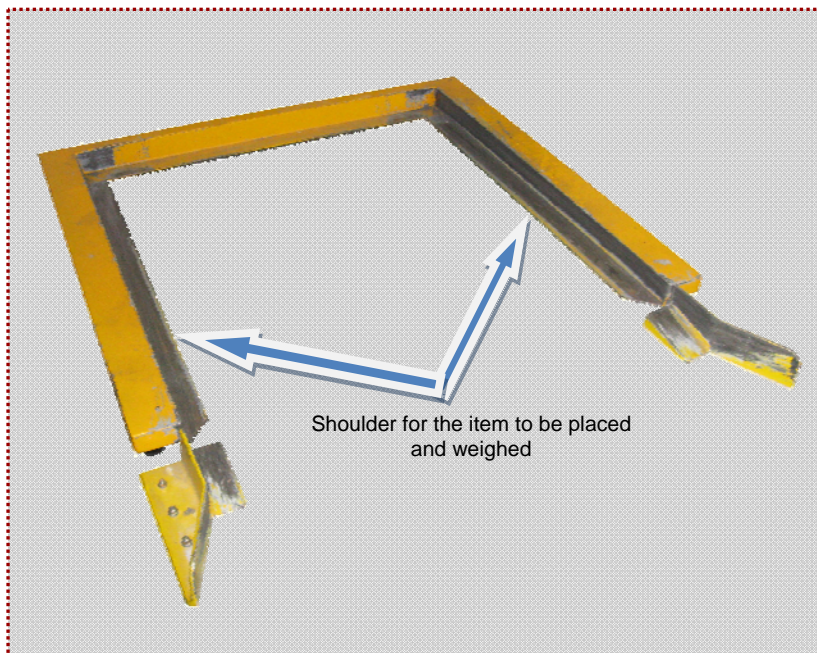




## PL3000U Scale Frame

The PL3000U Scale Frame is designed for weighing of items via a pallet jack that can be lowered onto the outer shoulders of the frame. This is used where the items being weighed are the same size. NO ramps required.

- Easy installation and Operation – Guides are bolted to the floor allow for easy alignment of the item to be weighed
- The standard system is 2000kg with a division size of 1kg.
- For sites where the items being weighed are the same size and are able to be lowered without restriction by the pallet jack.
- Warranty for the PL3000U is 12 months from delivery.



- Calibration capacity from 2000kg x 1kg
- Standard Size - Custom to most sites
- Options for material for platform are
  - Mild Steel
    - Painted
    - Galvanized (Optional)
    - Stainless Steel (Optional)
- Option for Load Cells are
  - Tool Steel Shear Beams
  - Stainless Steel Shear Beams
- Solid Foot Construction for reduced wear