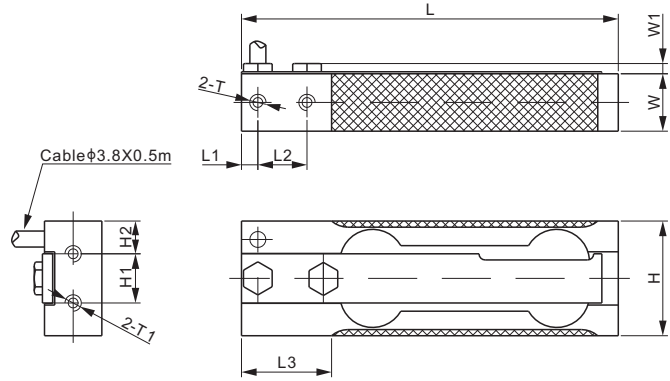
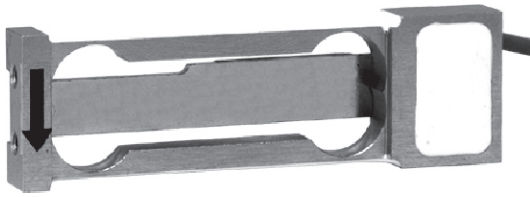


## Aluminum



### DIMENSIONS

RATED CAPACITY	H	H1	H2	L	L1	L2	L3	W	W1	T	T1
<b>kg/mm</b>											
0.1-0.5	28	12	8	92	4	12	22	10	4	M4 Depth8	M4
1-2	28	12	8	92	4	12	22	12	4	M4 Depth8	M4
3-5	28	12	8	92	4	12	22	14	4	M4 Depth8	M4
<b>lb/inches</b> (conversion of above dimensions)											
0.22-1.1	1.10	0.47	0.31	3.62	0.16	0.47	0.87	0.39	0.16	M4 Depth0.31	M4
2.2-4.4	1.10	0.47	0.31	3.62	0.16	0.47	0.87	0.47	0.16	M4 Depth0.31	M4
6.6-11	1.10	0.47	0.31	3.62	0.16	0.47	0.87	0.55	0.16	M4 Depth0.31	M4

### SPECIFICATIONS

<b>Full Scale Output</b>	Capacity $\leq 500g$ : $1.0 \pm 20\%$ mV/V	<b>Recommended Excitation</b>	10V (15V Maximum)
	Capacity $\geq 1kg$ : $2.0 \pm 20\%$ mV/V	<b>Reference Max. Platform Size</b>	Capacity $\leq 500g$ : $200 \times 200$ mm Capacity $\geq 1kg$ : $230 \times 230$ mm
<b>Zero Balance</b>	$\pm 0.02$ mV/V	<b>Insulation Resistance</b>	$>2 [50V DC] G\Omega$
<b>Non-linearity</b>	Cap. $\leq 500g$ : $< \pm 0.023\%$ ; Cap. $\geq 1kg$ : $< \pm 0.017\%$	<b>Nominal Temperature Range</b>	$-10^\circ C$ to $40^\circ C$ / $14^\circ F$ to $104^\circ F$
<b>Repeatability</b>	Cap. $\leq 500g$ : $< \pm 0.023\%$ ; Cap. $\geq 1kg$ : $< \pm 0.017\%$	<b>Safe Overload</b>	150% of full scale
<b>Hysteresis Error</b>	Cap. $\leq 500g$ : $< \pm 0.023\%$ ; Cap. $\geq 1kg$ : $< \pm 0.017\%$	<b>Breaking Overload</b>	300% of full scale
<b>Creep in 30 min.</b>	Cap. $\leq 500g$ : $< \pm 0.050\%$ ; Cap. $\geq 1kg$ : $< \pm 0.023\%$	<b>Seal Type / IP Rating</b>	Environmentally Sealed / IP66
<b>Input Resistance</b>	$415\Omega \pm 15$	<b>Cable Color Code</b>	Exc+ Red    Exc- Black Sig+ Green    Sig- White    Shield Bare
<b>Output Resistance</b>	$350\Omega \pm 3$		
<b>Element Material</b>	Aluminum		

### PART NUMBER

Rated Capacity	Part No.	Shipping Weight (kg) Approx.
100g.....	108AA-100g.....	0.1
200g.....	108AA-200g.....	0.1
300g.....	108AA-300g.....	0.1
500g.....	108AA-500g.....	0.1
1kg.....	108AA-1kg.....	0.1
2kg.....	108AA-2kg.....	0.1
3kg.....	108AA-3kg.....	0.1
5kg.....	108AA-5kg.....	0.1

1kg-5kg: OIML C3

SINGLE POINTS