

**PALLET
JACK
SCALES**

**ASSOCIATED
SCALE SERVICES**

www.associatedscales.com.au 07 3272 0077



**12-month
WARRANTY**

**Capacity
2.00t**

**Easy Seen
25cm
Display**

**Auto off for
Battery
Power
Saving**

PALLET JACK SCALES

Integrated scales on pallet jacks. These are designed to keep the tynes of the pallet jack as narrow as possible.



NPS50S-5Klb

Model: NPS

Fully integrated scale and Pallet Jack



NPS68H-5Klb

Associated Scale Services Pty Ltd

Ph: +61 (0)7 3272 0077

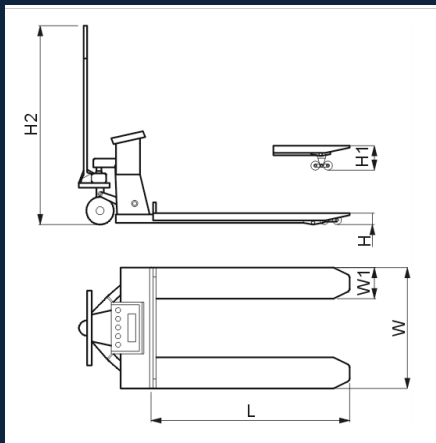
Email: info@associatedscales.com.au

Web: www.associatedscales.com.au





The NPS pallet jack scale is not just a pallet jack with load cells fitted, the design is based on a scale integrated with a pallet jack. Incorporating the ANYLOAD 563YHTH Shear Beam in the NPS68H, this pallet jack is designed to offer mobile accurate weight readings.



Model	H	H1	H2	L	W	W1
NPS68H-5Klb	78	195	1120	1150	685	160
NPS50S-5Klb	78	195	1120	1150	550	160

All measurements are in mm

NPS Pallet Jack Scale

Specifications

- Capacity 2000kg x 1kg
- Stainless Steel unit for food areas. To only be wiped over for cleaning, not for direct water applications

Function:

- All universal hand pallet truck functions
- Six 1 inch digits LED display
- Basic counting function
- kg/lb conversion function
- Rechargeable battery, low voltage auto-off and charging auto control function