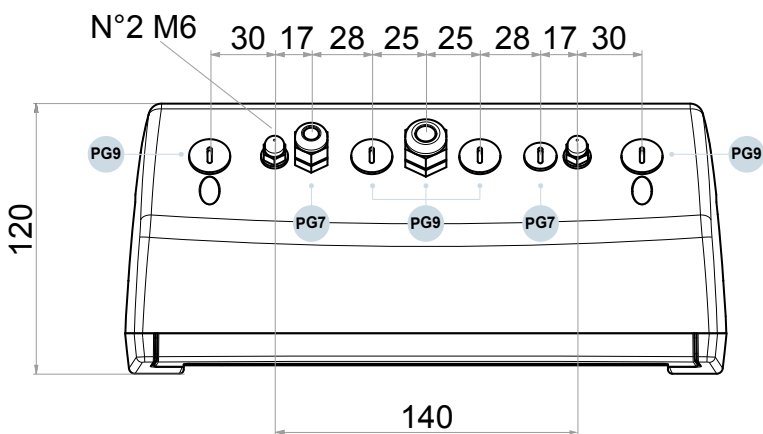
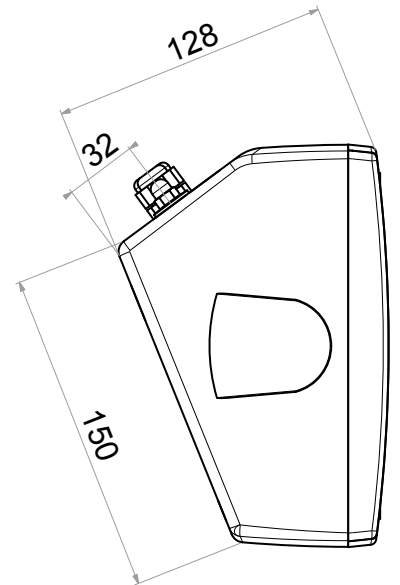
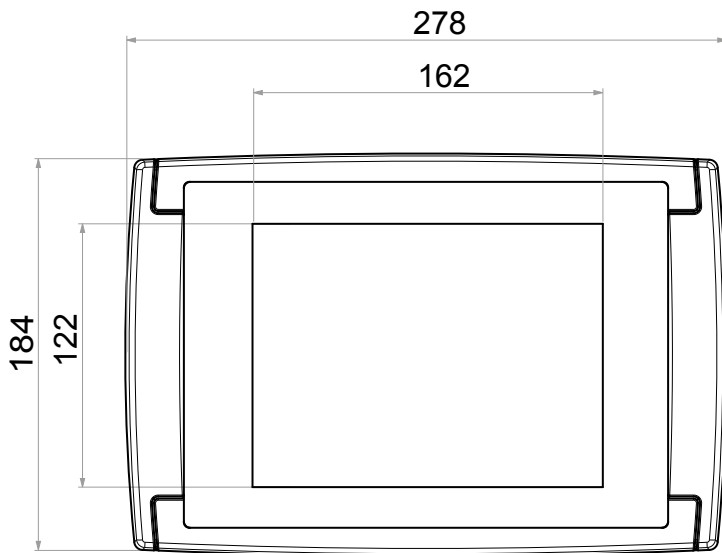


3590ET8

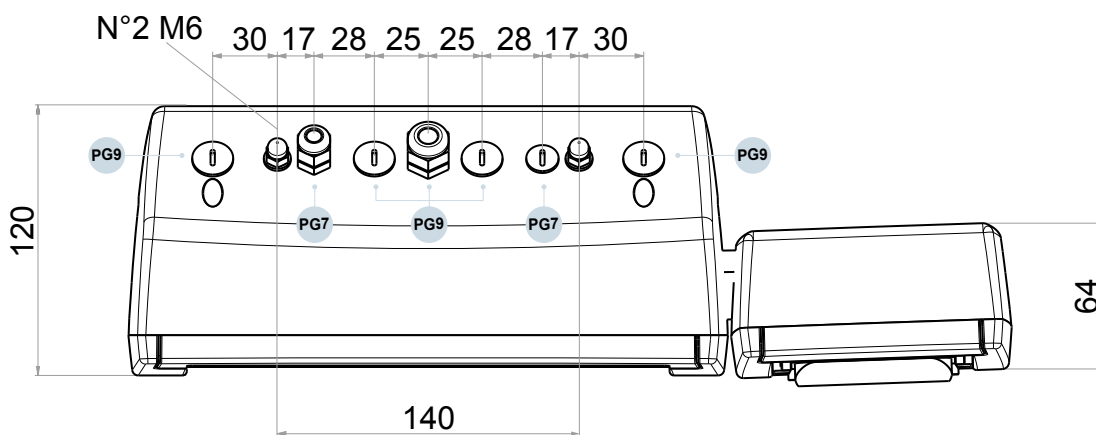
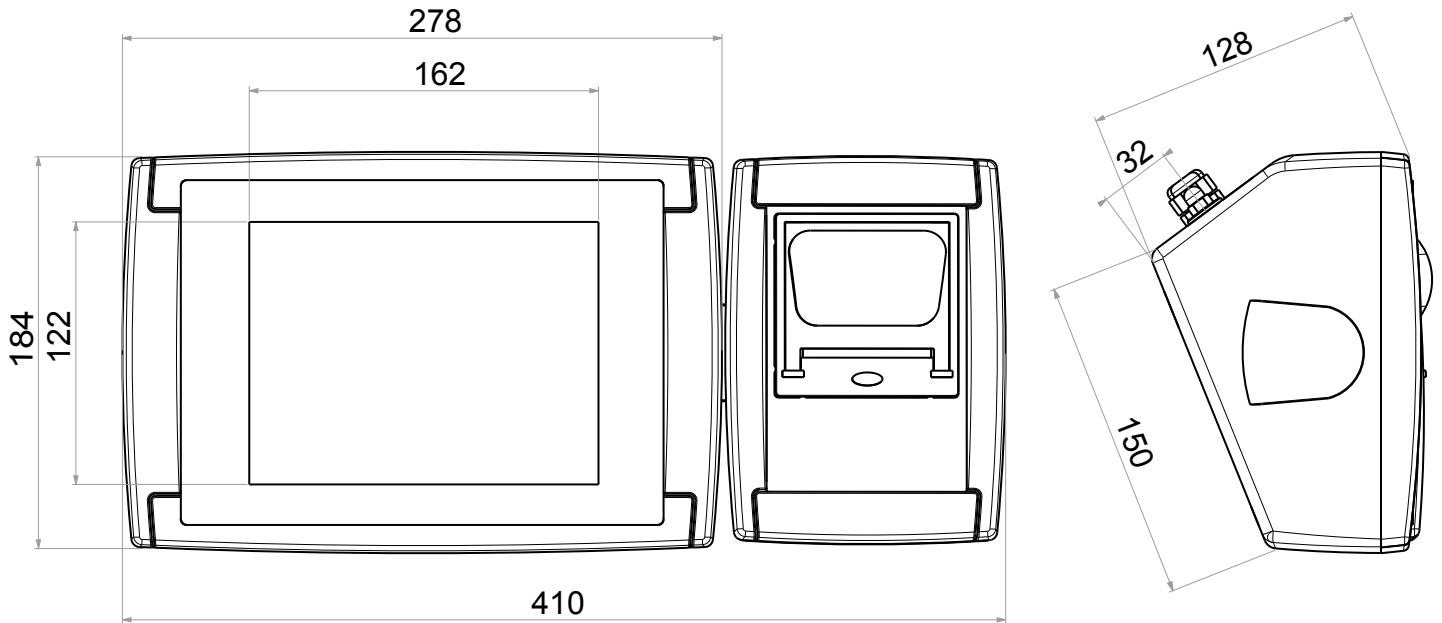


Cable gland	Min. cable ϕ (mm)	Max. cable ϕ (mm)	Fastening torque (Nm)
PG7 - plastic	2,5	6,5	1,5
PG9 - plastic	3,5	8	2

dimensions in mm

3590ETP8

With thermal printer



Cable gland	Min. cable ø (mm)	Max. cable ø (mm)	Fastening torque (Nm)
PG7 - plastic	2,5	6,5	1,5
PG9 - plastic	3,5	8	2

dimensions in mm