

Stainless Steel

Multi Point Load Cells

LCC11 Series

- ★ **Hermetical Sealed Stainless Steel Construction Protection from Water, Moisture and Corrosion**
- ★ **Advanced Load Design for Tanks, Hoppers and Truck Scales**
- ★ **Compression Type**



Models & Capacity

Model	Capacity
LCC11T010-K	100kN(10.20t)
LCC11T020-K	200kN(20.39t)
LCC11T030-K	300kN(30.59t)

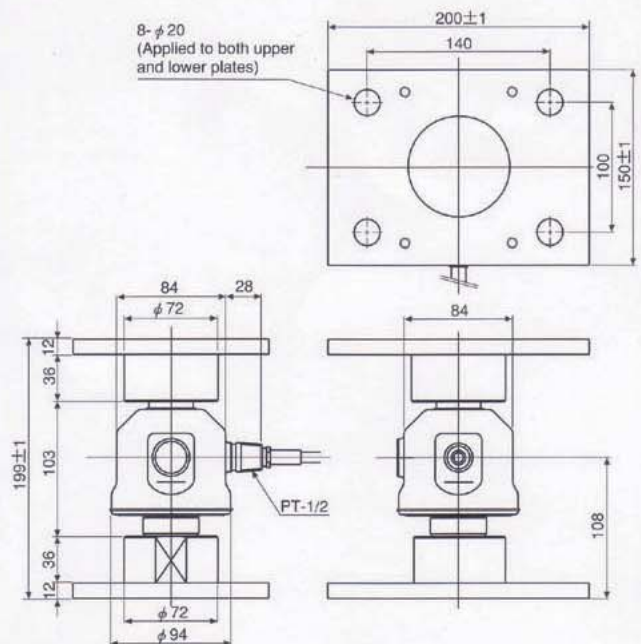
Specifications

Rated Output	2mV/V±0.1%
Maximum Safe Overload	200% of R.C.
Combined Error	0.016% of R.O.
Recommended Excitation Voltage	DC12V
Maximum Excitation Voltage	DC15V
Zero Balance	±1% of R.O.
Input Terminal Resistance	800±30Ω
Output Terminal Resistance	2200±10Ω
Insulation Resistance	Greater than 5000MΩ/DC50V
Operating Temperature	-20°C to 60°C
Temperature Effect	Zero : 0.019% of R.O./10°C Typ. Span : 0.010% of Load/10°C Typ.
Cable Diameter/Length	ø8/12m
Dustproof/Waterproof	IP67

Dimensions

Unit : mm

CABLE COLOR CODE	
RED	EXC +
WHITE	EXC -
GREEN	SIG +
BLUE	SIG -
YELLOW	SHIELD



Specifications are subject to change for improvement without notice.

A&D

...Clearly a Better Value

A&D Company, Limited

3-23-14 Higashi-Ikebukuro, Toshima-ku, Tokyo 170-0013 JAPAN
Telephone: [81] (3) 5391-6132 Fax: [81] (3) 5391-6148
www.aandd.co.jp

A&D ENGINEERING, INC.

1555, McCandless Drive, Milpitas, CA. 95035 U.S.A.
Telephone: [1] (408) 263-5333 Fax: [1] (408) 263-0119

A&D MERCURY PTY. LTD.

32 Dew Street, Thebarton, South Australia 5031 AUSTRALIA
Telephone: [61] (8) 8352-3033 Fax: [61] (8) 8352-7409

A&D INSTRUMENTS LTD.

Unit 24/26 Blacklands Way Abingdon Business Park,
Abingdon, Oxon OX14 1DY United Kingdom
Telephone: [44] (1235) 550420 Fax: [44] (1235) 550485

< German Sales Office >

Berner Straße 64, D-60437 Frankfurt/Main GERMANY
Telephone: [49] (69) 507 1017 Fax: [49] (69) 507 2054

A&D KOREA Limited

Manhattan Bldg. 8F, 36-2 Yoido-dong, Youngdeungpo-gu, Seoul, KOREA
Telephone: [82] (2) 780-4101 Fax: [82] (2) 782-4280

★ LCC11-ADCC-01-KO1-02303