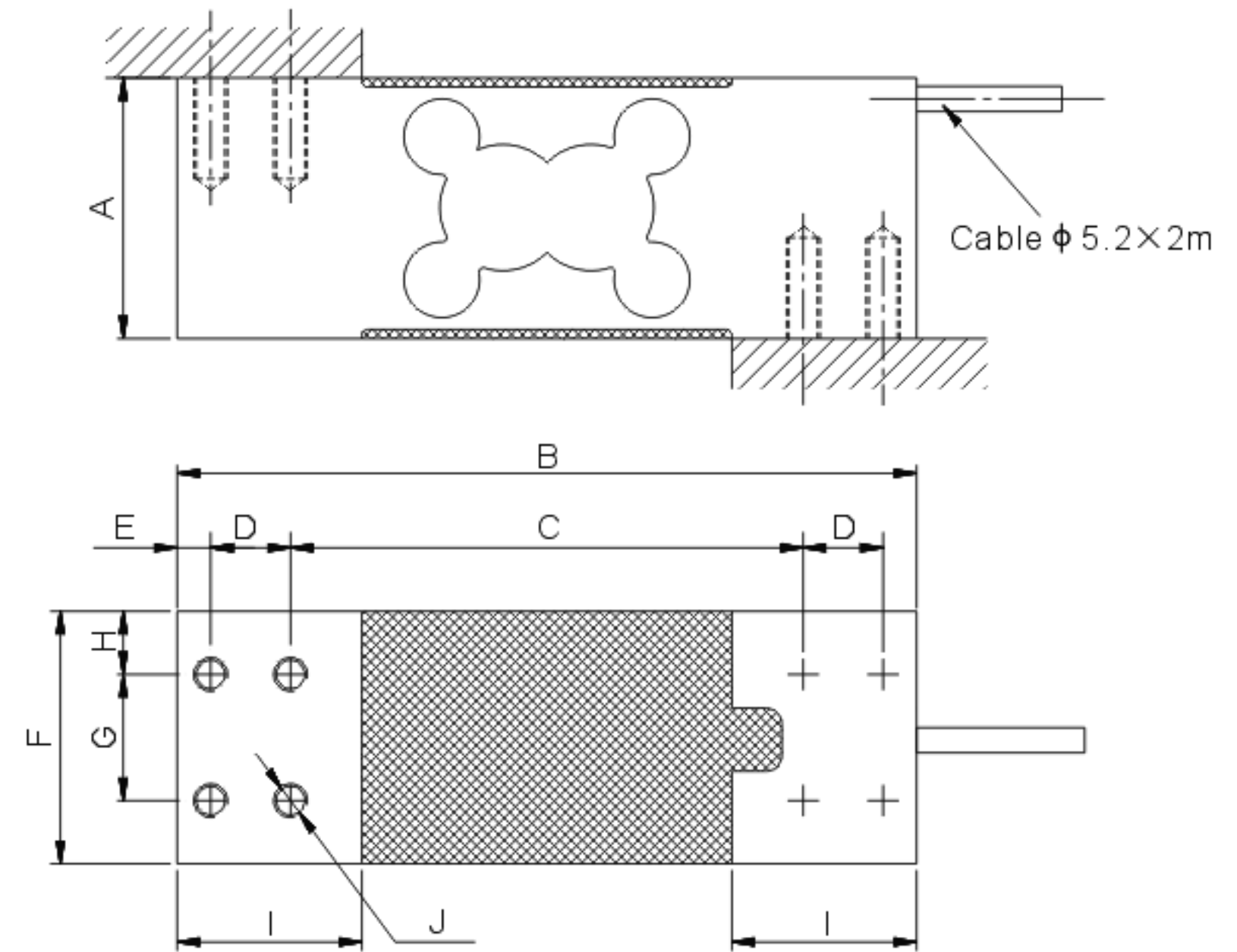
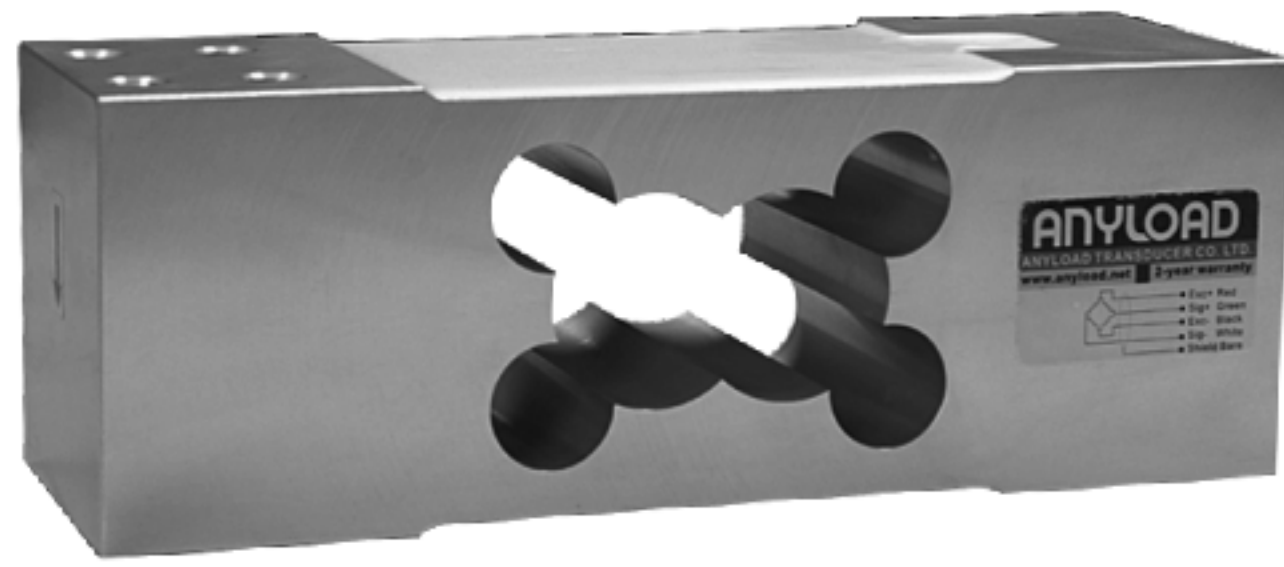


## 108CA Single Point, Aluminium OIML R60 C3\*\*



### DIMENSIONS

RATED CAPACITY	A	B	C	D	E	F	G	H	I	J
kg/mm										
60...750	62	176	122	19	8	60	30	15	44	8-M8 Depth25

### SPECIFICATIONS:

Full Scale Output	2.0 mV/V	Non-linearity *	< ± 0.017%
Bridge Resistance	350Ω, nominal	Insulation Resistance	>1 [ 50 VDC ] GΩ
Material/Finish	Aluminium	Hysteresis Error *	< ± 0.017%
Temperature	Compensated range 14°F to 104°F/-10°C to 40°C	Seal Type	Environmentally-sealed, IP66
Safe Overload	150% Full scale	Max. Platform Size	600mm×700mm
Reference Mounting	Socket-head cap screw M8-12.9 Tightening torque 42Nm	Cable Color Code	Red..... + Excitation Black..... - Excitation Green..... + Signal White..... - Signal Bare..... Shield
Rated Excitation	10V DC (15V maximum)	Warranty	2-year limited warranty

### INTERCHANGEABLE PRODUCTS

Manufacturer	Model
HBM .....	PW24A
Vishay Celtron.....	LOC
Vishay TedeA-Huntleigh.....	1263

\* The data for deviation of linearity, repeatability, hysteresis error and temperature effect on sensitivity meets the requirements according to OIML R60

\*\* Rated capacity ≤ 500kg