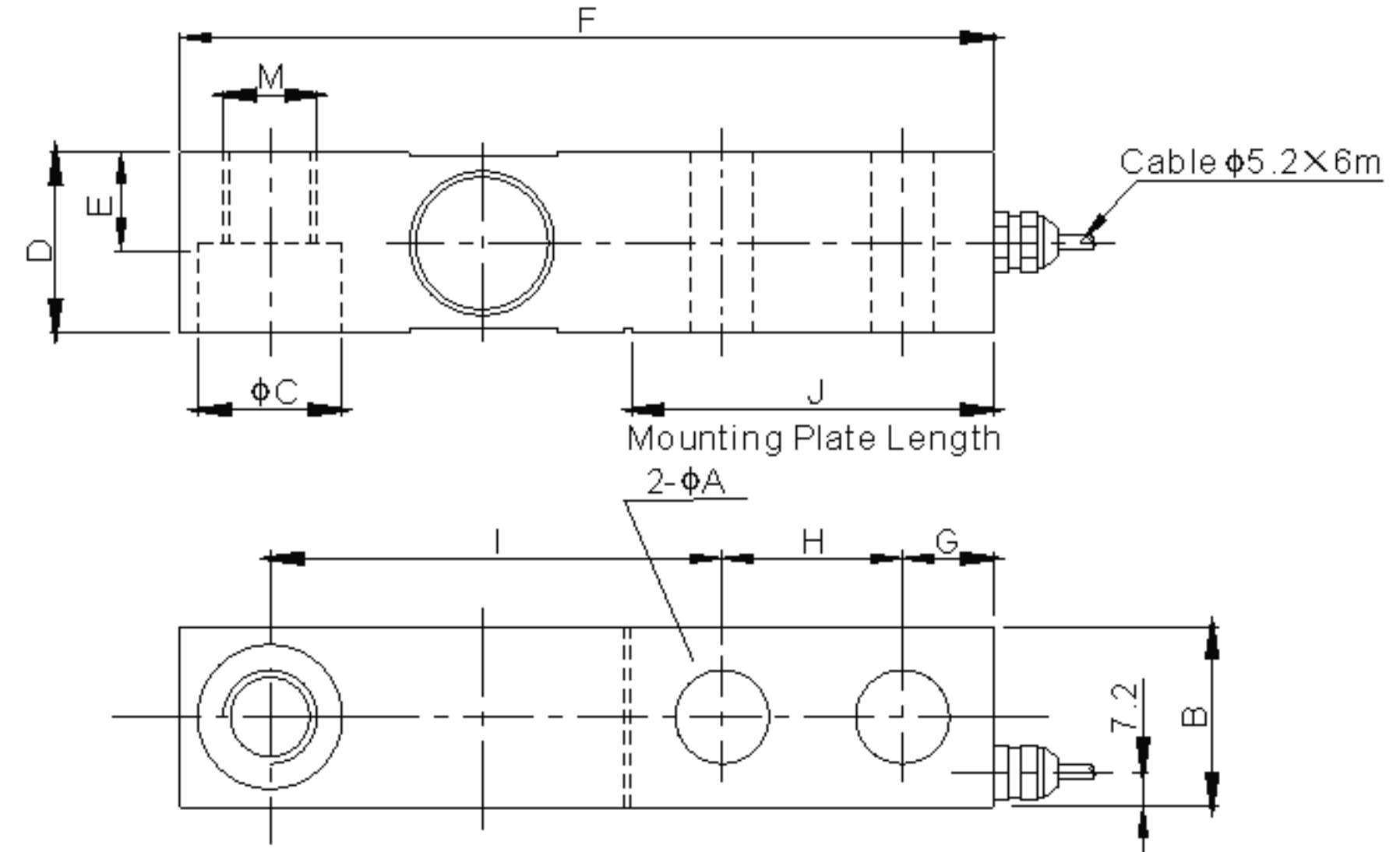


## 563YH Single Ended Beam, Alloy Steel OIML R60 C3\*\*, Equivalent to NTEP 1:5 000 Class III, Multiple Cell



### DIMENSIONS

RATED CAPACITY	A	B	C	D	E	F	G	H	I	J	M
<b>lb / inches</b>											
5,000...SE-5,000	0.53	1.25	0.81	1.25	0.60	5.12	0.62	1.00	3.00	2.25	1/2-20 UNF-2B
5,000...10,000	0.78	1.50	1.19	1.50	0.75	6.75	0.75	1.50	3.75	3.00	3/4-16 UNF-2B
15,000...20,000	1.03	2.00	1.81	2.00	1.00	8.75	1.00	2.00	4.75	4.00	1-14 UNS-2B
<b>kg / mm</b>											
1,000...2,000	13.5	31.8	20.6	31.8	15.2	130.0	15.8	25.4	76.2	57.2	M12X1.75
3,000;5,000	19.8	38.1	30.2	38.1	19.1	171.5	19.1	38.1	95.3	76.2	M18X1.50
10,000	26.2	50.8	46.0	50.8	25.4	222.3	25.4	50.8	120.7	101.6	M24X2.00
20,000	30.2	58.0	50.0	58.0	32.0	241.5	27.5	55.0	132.0	110.0	M36X2.00

### SPECIFICATIONS:

Full Scale Output	3.0 mV/V	Non-linearity *	<± 0.0170%
Bridge Resistance	350 Ω, nominal	Insulation Resistance	>2 [ 50 VDC ] G Ω
Material/Finish	Alloy Steel	Hysteresis Error *	<± 0.0170%
Temperature	Compensated range 14°F to 104°F/-10°C to 40°C	Seal Type	Environmentally-sealed, IP67
Safe Overload	150% Full scale	Cable Color Code	Red..... + Excitation Black..... - Excitation Green..... + Signal White..... - Signal Bare..... Shield
Rated Excitation	10V DC (15V maximum)	Warranty	2-year limited warranty

### AVAILABLE OPTIONS

- Service temperature range up to 120°C [248°F]
- Lightning proof
- 6-wire circuit
- Stainless Steel 563YSGS (see page 13)

### WEIGH MODULE AVAILABLE

Model	Page
563YHM2.....	P62
563YHM4.....	P64
563YHM5.....	P65

### INTERCHANGEABLE PRODUCTS

Manufacturer	Model
Artech.....	30310
Rice Lake.....	RL30000
Vishay Revere Transducers.....	5123
Vishay Sensortronics.....	65023
Vishay TedeA-Huntleigh.....	3411

\* The data for deviation of linearity, repeatability, hysteresis error and temperature effect on sensitivity meets the requirements according to OIML R60 or NTEP 1:5 000 Class III, Multiple Cell

\*\* Rated capacity ≥ 500kg