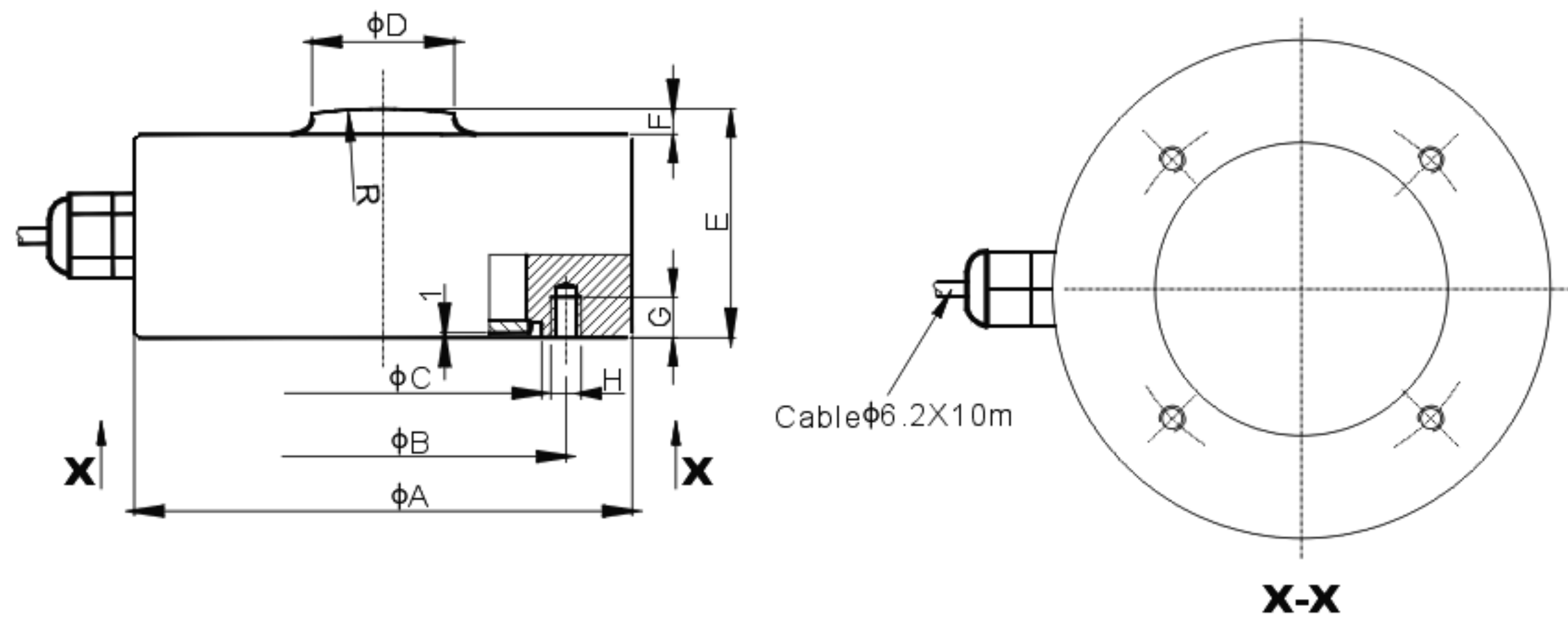


266AA;266AH Disk, Aluminium/Alloy Steel Welded-seal, IP67, Patent Design, No.: ZL 02 2 04610.0



DIMENSIONS

RATED CAPACITY	A	B	C	D	E	F	G	H	R
kg/mm									
25...2,000	62	55	36.0	12	22	4	6	M5	50
5,000	98	72	62.4	20	40	5	13	M6	150
10,000	98	72	62.4	20	45	5	13	M6	150
20,000	118	90	62.4	25	52	7	15	M8	250
30,000	138	115	62.4	25	73	8	15	M10	250

SPECIFICATIONS:

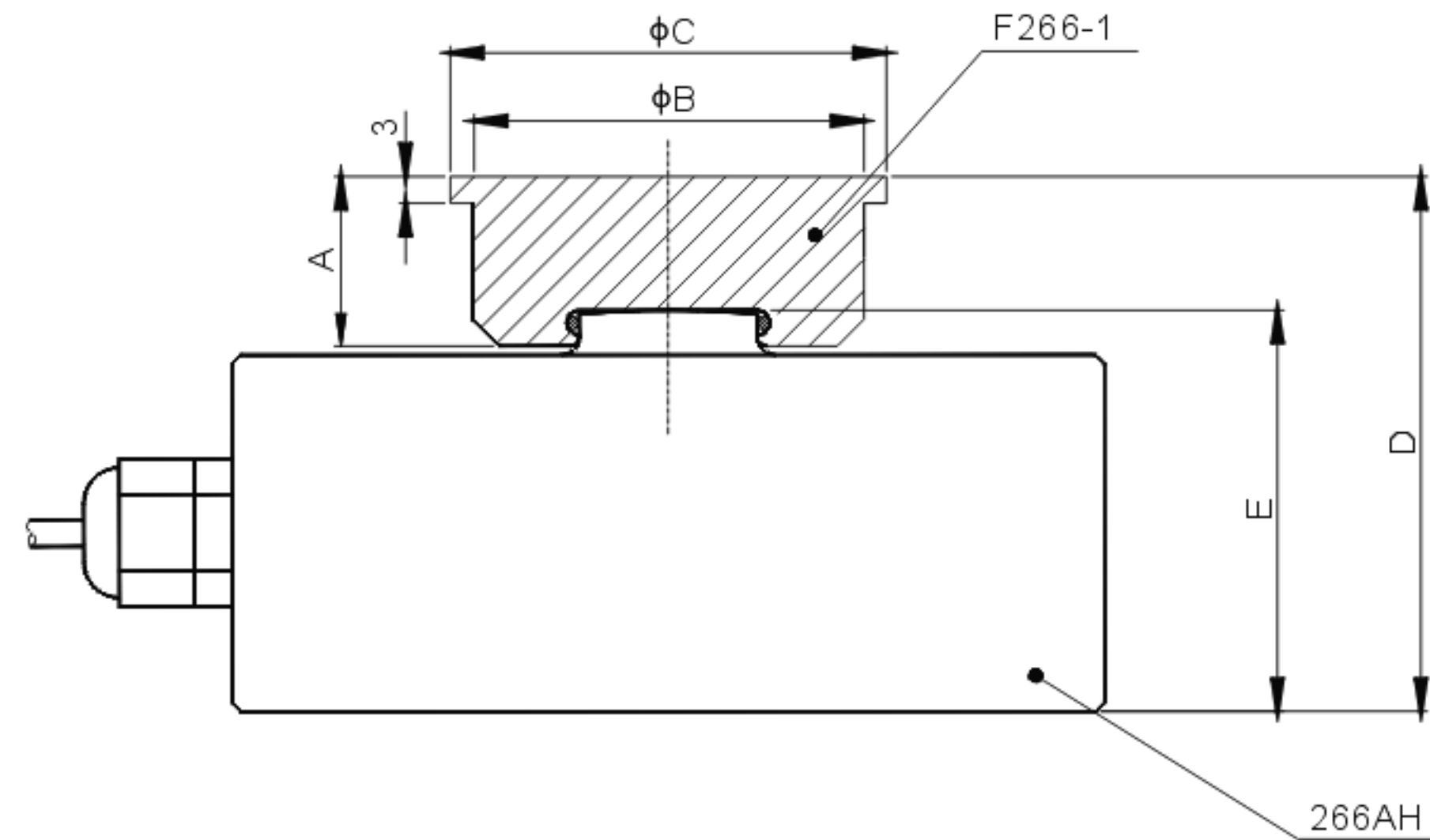
Full Scale Output	2.0 mV/V	Non-linearity	$< \pm 0.3\% / < \pm 0.1\%*$
Bridge Resistance	350 Ω / 700 $\Omega*$, nominal	Insulation Resistance	$> 2 [50 \text{ VDC}] \text{ G}\Omega$
Material/Finish	Aluminium / Alloy Steel	Hysteresis Error	$< \pm 0.2\% / < \pm 0.05\%*$
Temperature	Compensated range	Seal Type	Welded-seal, IP67
	14°F to 104°F / -10°C to 40°C	Cable Color Code	Red..... + Excitation Black..... - Excitation Green..... + Signal White..... - Signal Bare..... Shield
Safe Overload	150% Full scale	Warranty	2-year limited warranty
Rated Excitation	10V DC (15V maximum)		

AVAILABLE OPTIONS

- Service temperature range up to 120°C [248°F]
- Service lightning proof
- 6-wire circuit
- Stainless Steel (Rated Capacity $\geq 100\text{kg}$) 266AS
- IP68

* Rated capacity $\geq 5,000\text{kg}$

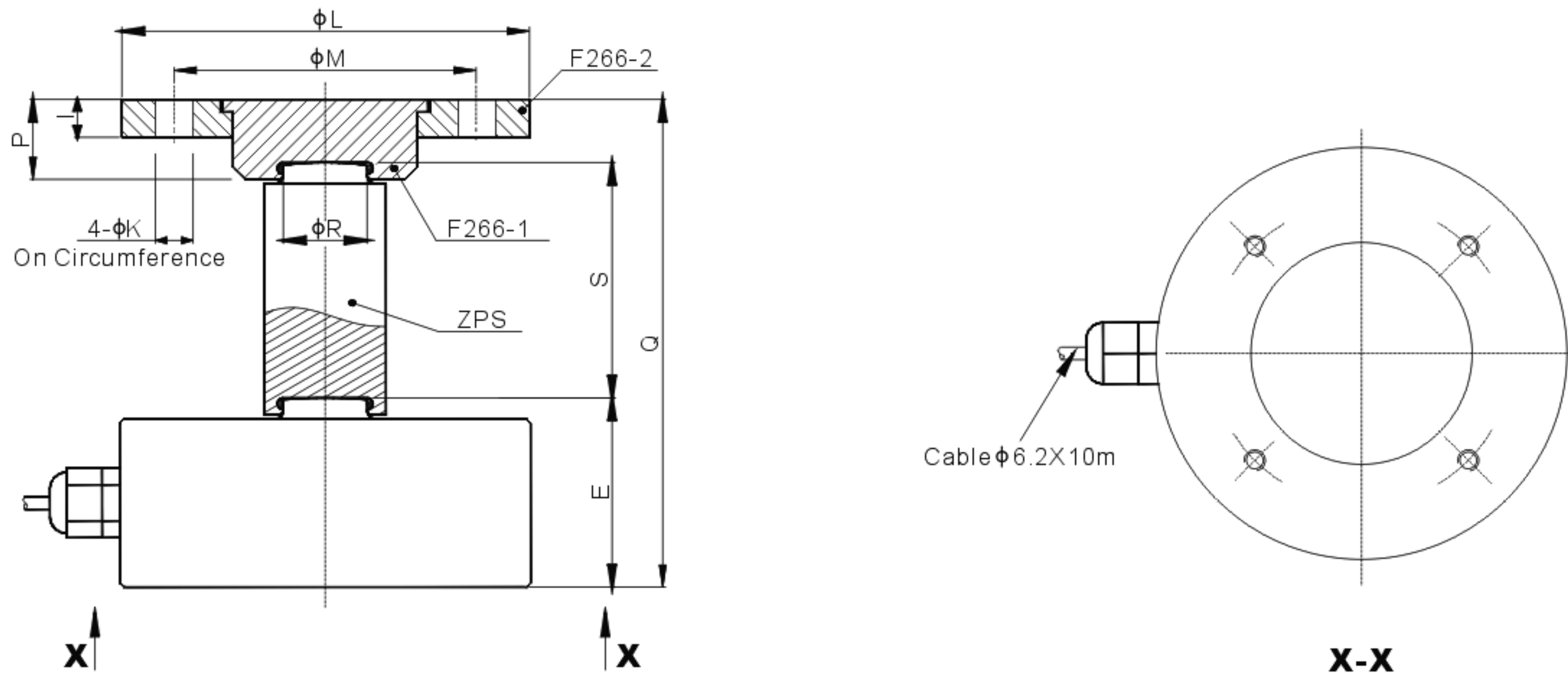
Mounting Hardware For 266AH Load Cell F266-1 Easy Top



DIMENSIONS

RATED CAPACITY	A	B	C	D	E
kg/mm					
500...2,000	16	31	41	42.0	30
5,000	19	39	49	55.0	40
10,000	19	39	49	60.0	45
20,000	24	50	60	70.5	52
30,000	24	50	60	91.5	73

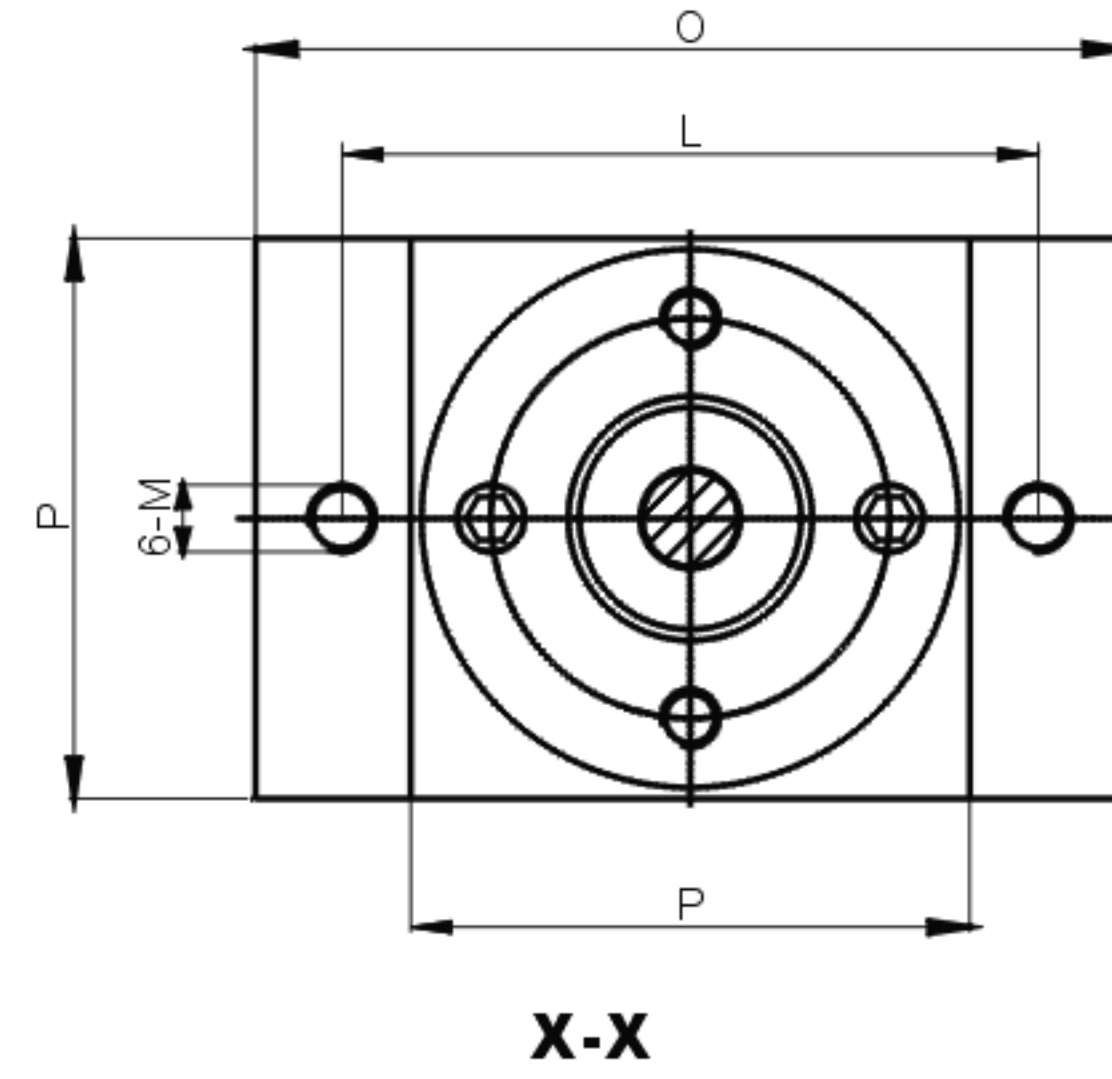
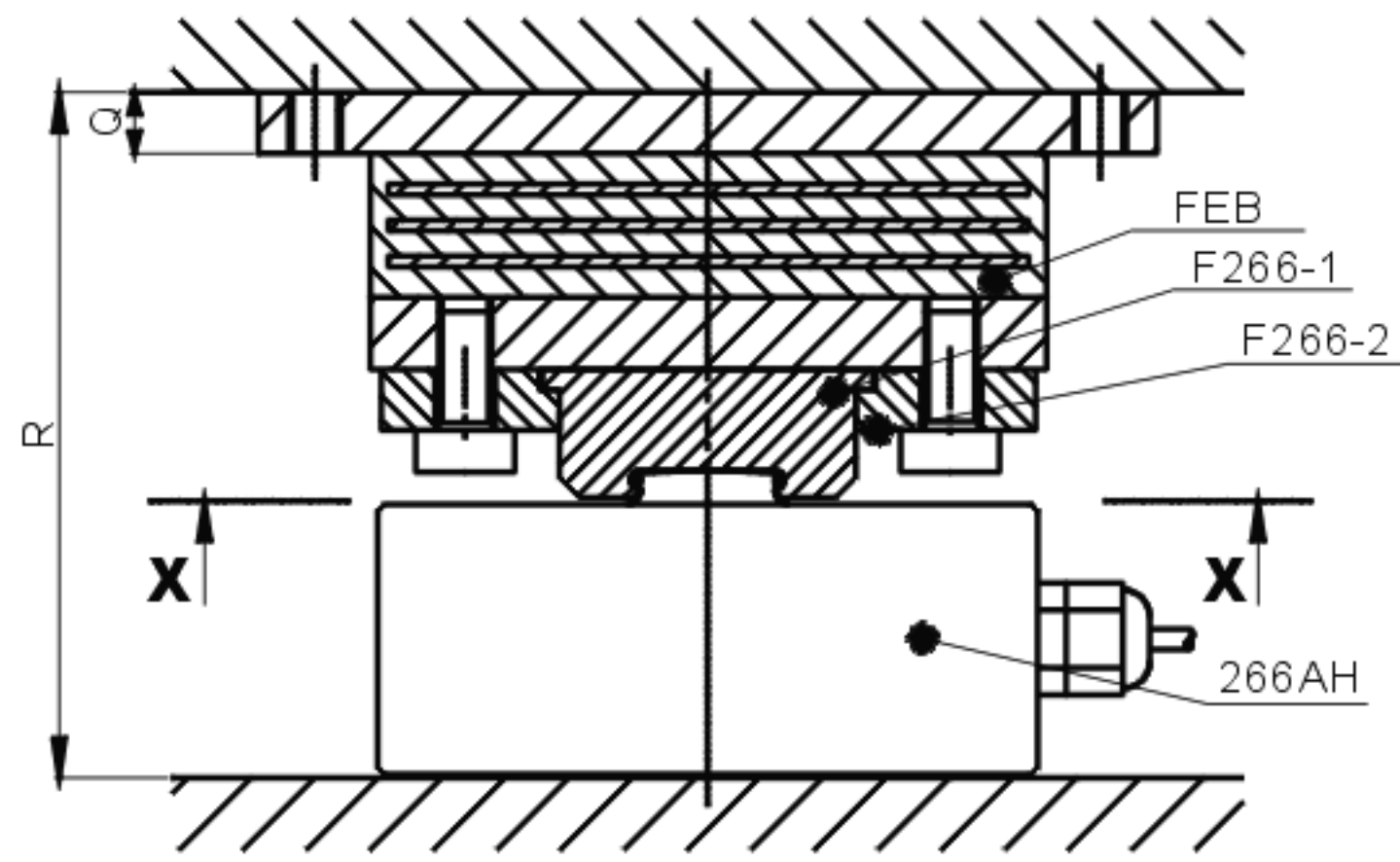
Pendle Bearing ZPS and Pendle Support F266



DIMENSIONS

RATED CAPACITY	E	I	K	L	M	P	Q	R	S
kg/mm									
500...2,000	30	7	9	81	60	16	88	12	46.0
5,000	40	9	9	97	72	19	111	20	56.0
10,000	45	9	13	97	72	19	116	20	56.0
20,000	52	10	13	115	90	24	135	25	64.5
30,000	73	10	13	115	90	24	156	25	64.5

Mounting Hardware For 266AH Load Cell (Cont.) Elastomer Bearing FEB and Pendle Support F266



DIMENSIONS

RATED CAPACITY	L	M	P	O	Q	R
kg/mm						
500...2,000	100	9	60	120	8	81.00
5,000	125	11	100	150	10	101.0
10,000	165	13	140	190	12	115.0
20,000	250	13	220	280	12	132.5
30,000	250	13	220	280	12	153.5