

CUSTOM
WEIGHING
SYSTEMS

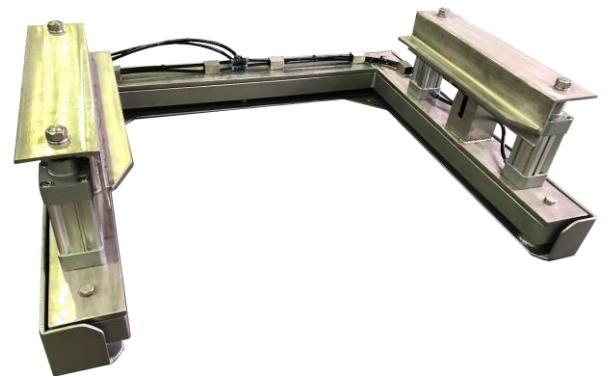
ASSOCIATED
SCALE SERVICES

www.associatedscales.com.au 07 3272 0077



CUSTOMIZING

ASSOCIATED SCALE SERVICE HAS A FULL DESIGN AND
ENGINEERING FACTORY IN BRISBANE TO DESIGN COMPLETE
WEIGHING SYSTEMS



NOT ALL PLATFORMS SCALES ARE THE SAME

Associated Scale Services Pty Ltd

Ph: +61 (0)7 3272 0077

Email: info@associatedscales.com.au

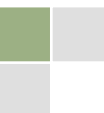
Web: www.associatedscales.com.au

Min 12 month
WARRANTY
OR
24 Months on
some systems

Custom
ANYTHING

Australian
Design
&/or
Manufacture

Options
Painted
Galvanized
Aluminum
Stainless -



NOT ALL SCALES ARE THE SAME. APPLICATIONS AND ENVIRONMENTS ALL REQUIRE DIFFERENT NEEDS FROM THE WEIGHING SYSTEMS. CHOOSING THE CORRECT ONE WILL ENSURE EFFICIENT WEIGHING AND SERVICE LONGEVITY.

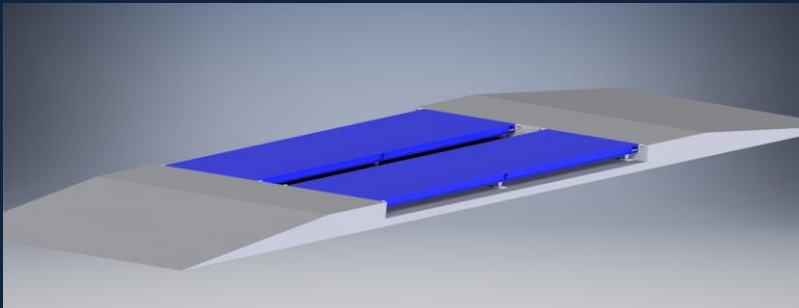
ASSOCIATED SCALE SERVICES IS HERE TO ASSIST

1. CONCEPT

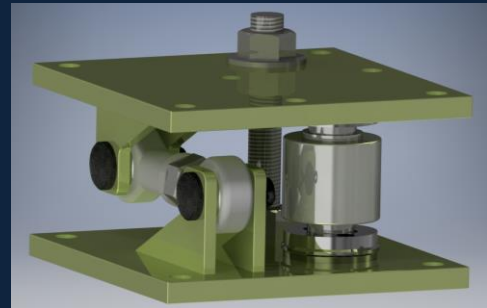
Through discussions with you and your staff we are able to create a concept to bring to life what is need to accomplish your weighing needs

Due to this process of designed we can assure you that we have a full understanding of what you require as well as you having a clear picture of what is being developed.

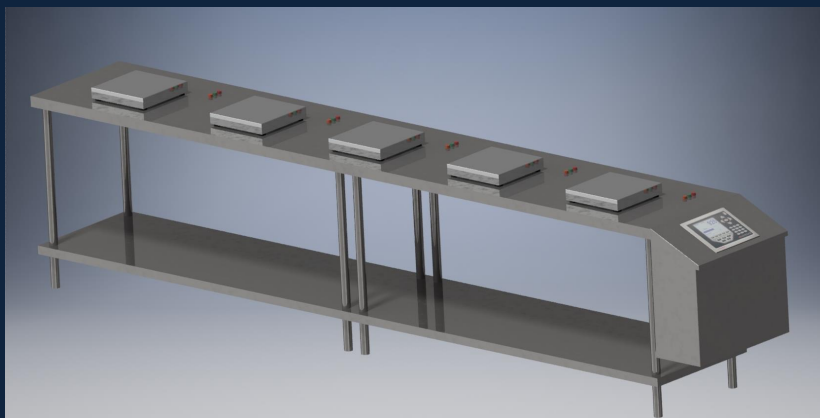
As simple as showing 2 tracks



Component integration



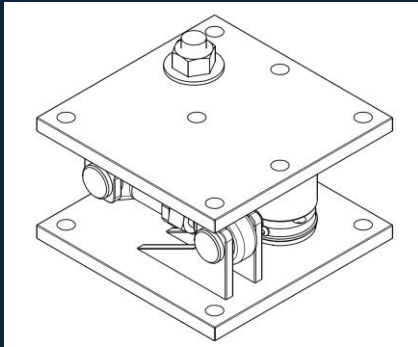
Full integration in a working environment



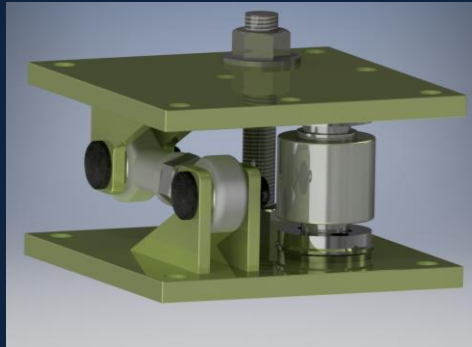
**These are all designed from 3D CAD Inventor
All drawn in house with the expectation of building from more
involved drawings**

DESIGN AND MANUFACTURE

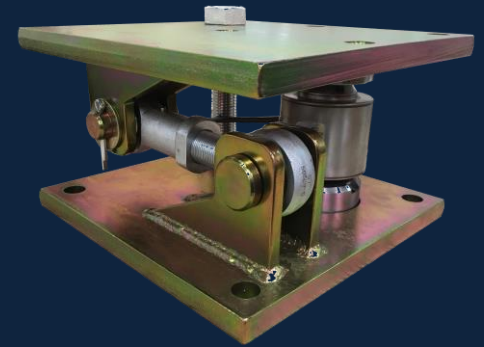
As shown with the 30t Silo Weighing System



Initial Concept



Rendered Concept

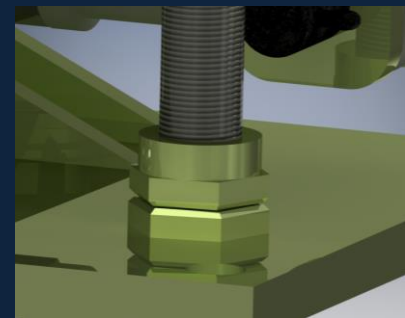


Manufactured Item



Our system allows for moving parts and to ensure they done foul and perform how we intended.

We can narrow in on intricate parts, prove methods, and improve as we move forward



"All ways moving forward and constantly improving"

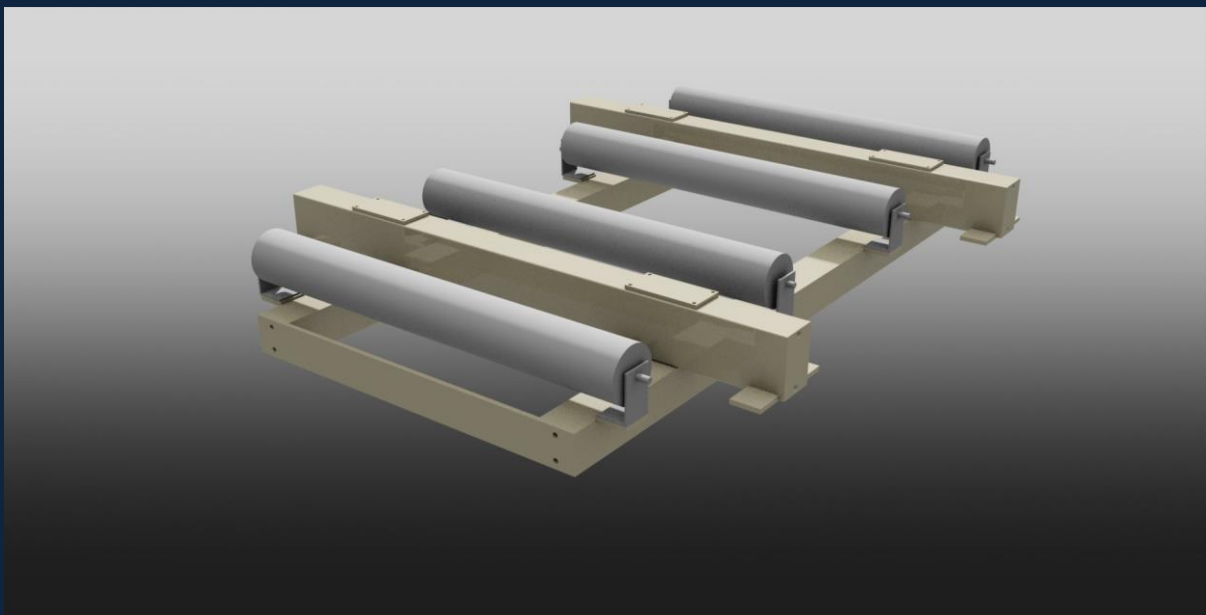
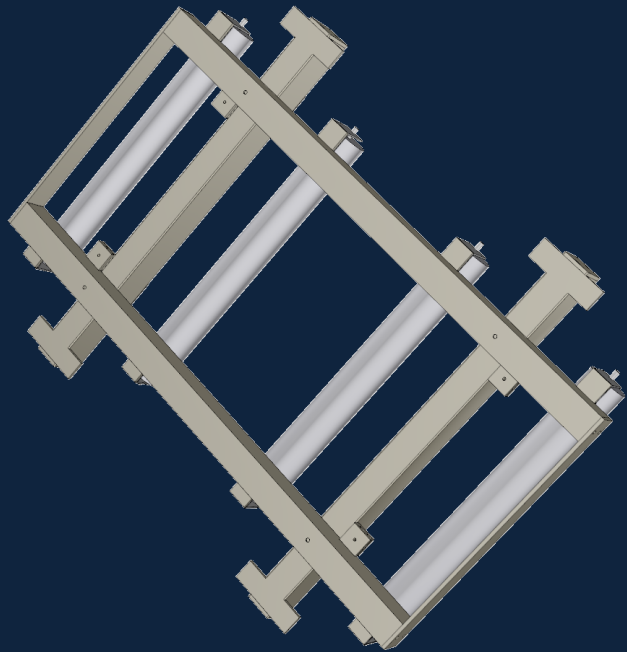
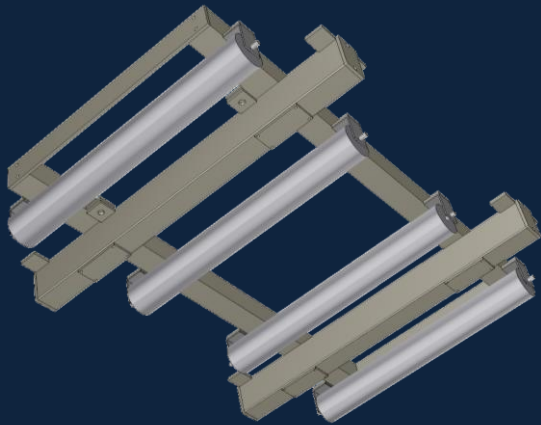
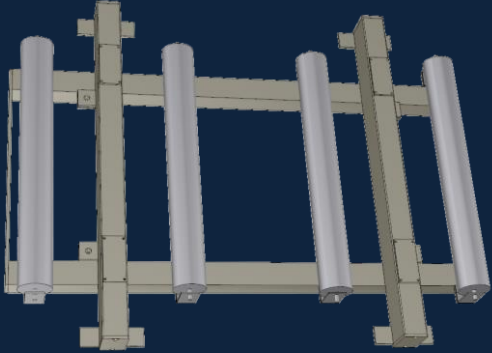
"Always listen to criticism and learn from any mistakes"

With the business coming up to 30 years of manufacture the above statements were and still are critical to the success of Associated Scale Services

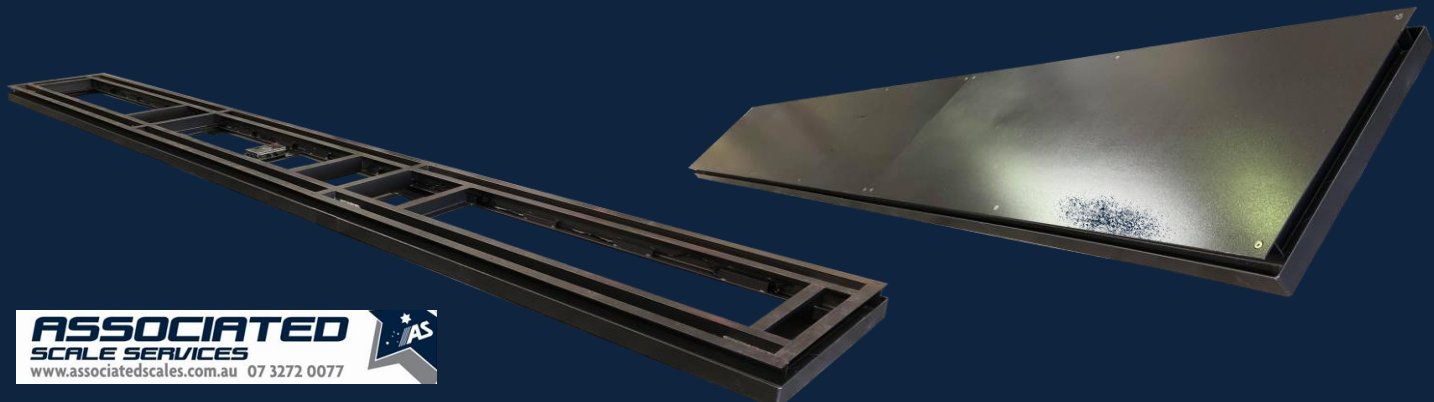
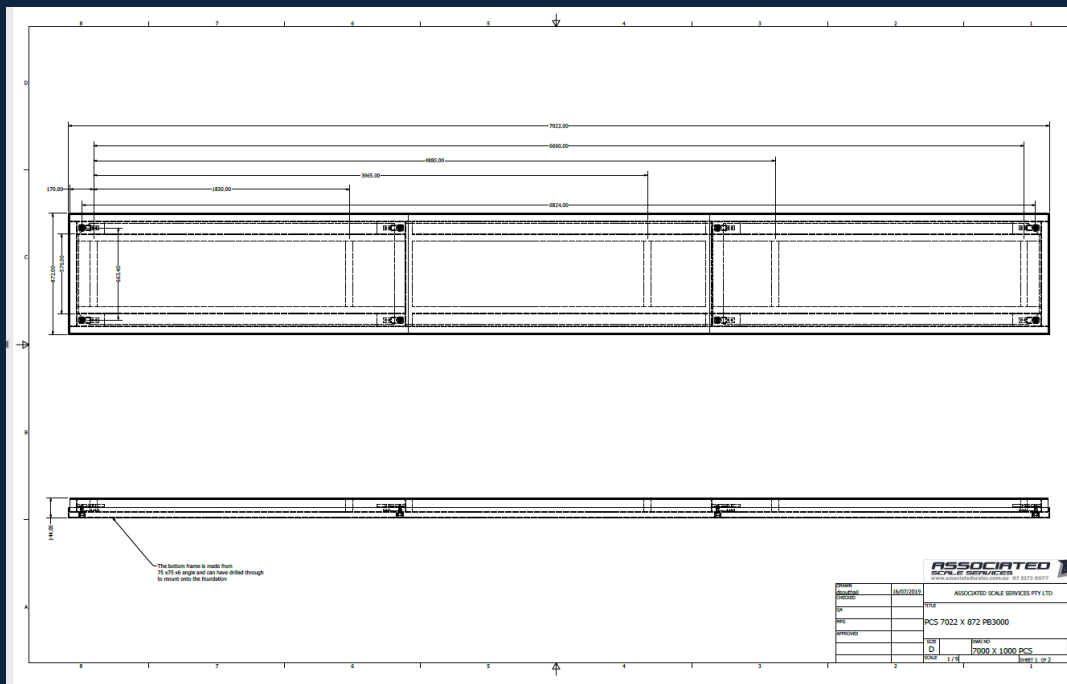
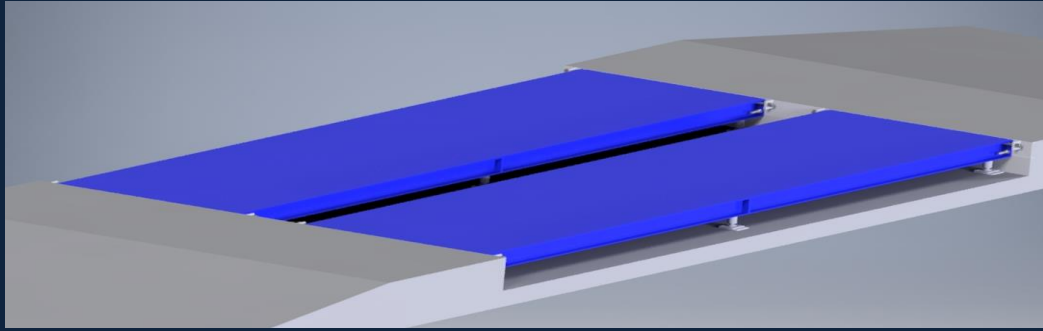
CAD TO PDF

WITH THE DESIGN SYSTEM
WE CAN MANIPULATE THE
ITEM TO SEE ALL VIEWS

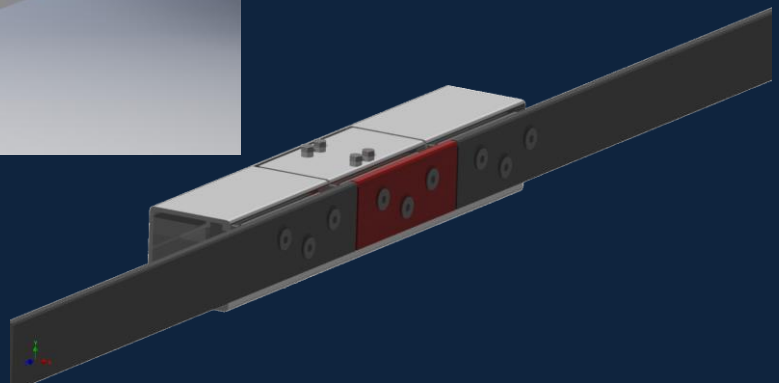
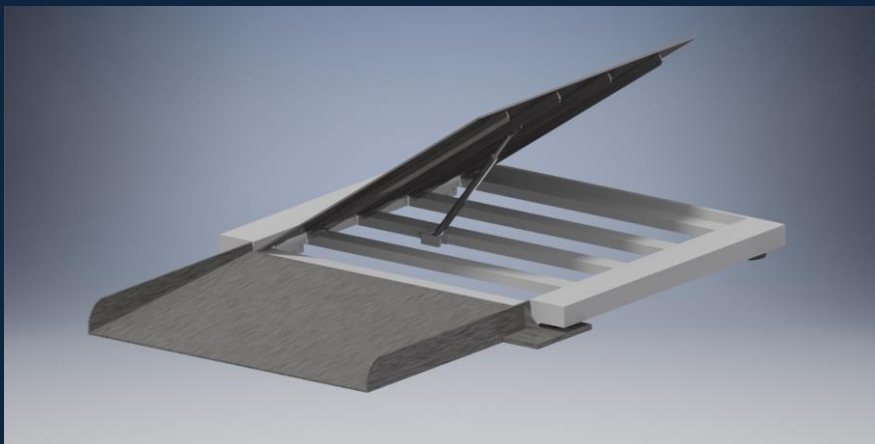
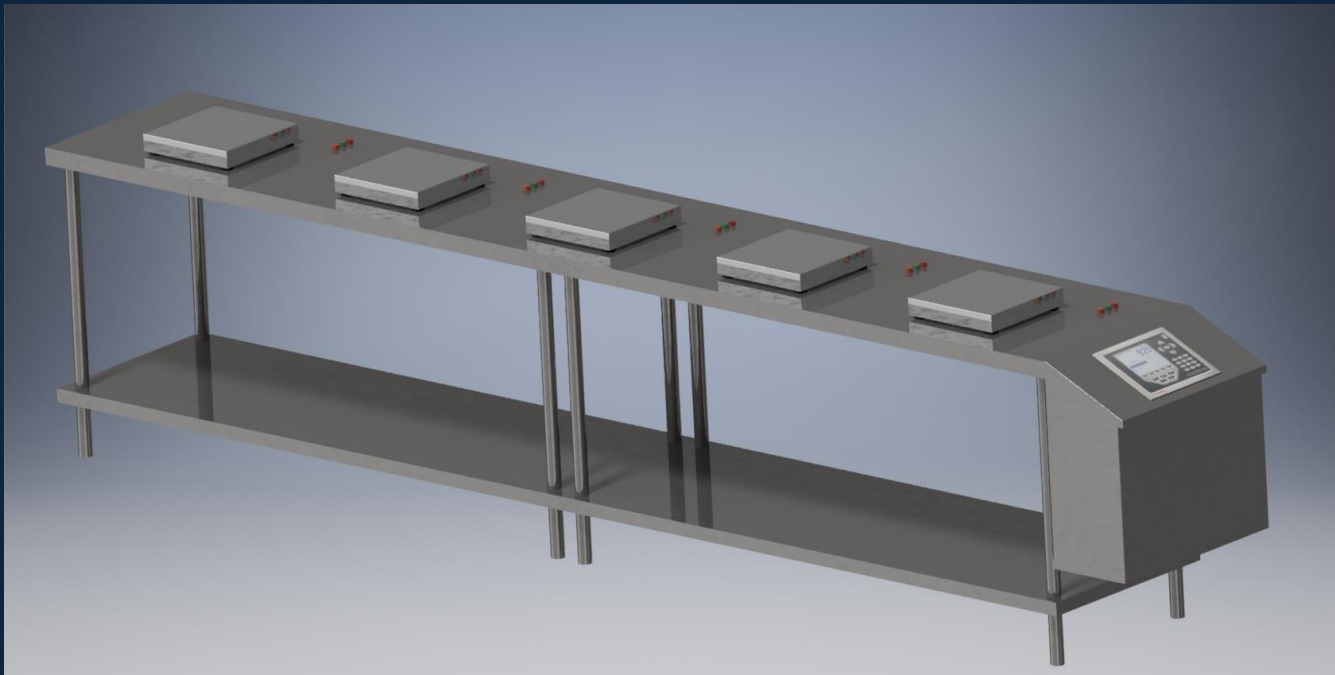
IN MOST CASES WE CAN
ALSO SEND YOU THE PDF
FILE TO ALLOW FOR THIS TO
BE ALSO PERFORMED ON
YOUR COMPUTER.



Other Design and Manufacture



Concepts for weighing integration



**FOR MORE INFORMATION ON WHAT ASSOCIATED
SCALE SERVICE CAN DO TO ASIST YOU IN
HAVING THE MOST EFFICIENT WEIGH SYSTEM
PLEASE CONTACT US BELOW**

Head Office
Associated Scale Services Pty Ltd
Unit 4/47 Learoyd Road
Acacia Ridge 4110

Postal
PO BOX 383
Acacia Ridge 4110

Phone: 07 3272 0077
Fax: 07 3272 0363

Email: info@associatedscales.com.au
Web: www.associatedscales.com.au



NOTES

Blank area for notes.