

Range for  
Silo /  
Tank  
Weighing

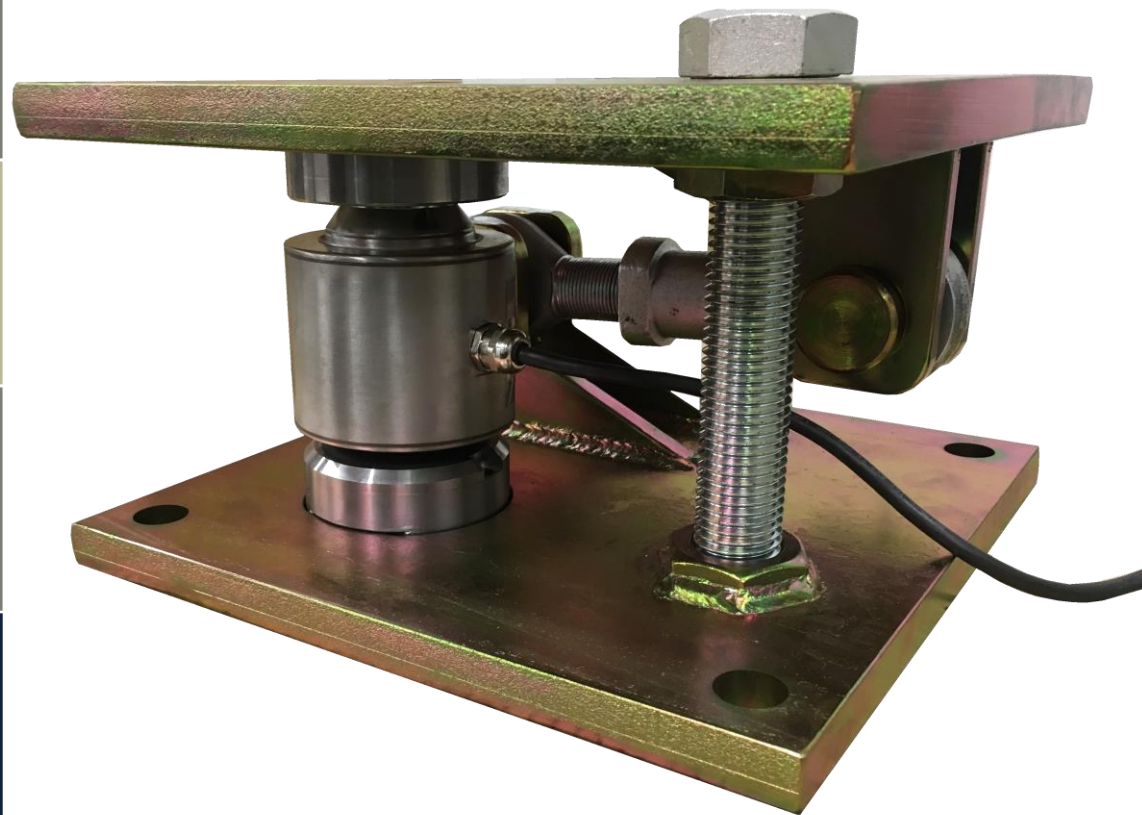
**ASSOCIATED**  
**SCALE SERVICES**

www.associatedscales.com.au 07 3272 0077



## RL-5426 TWM

Designed for silo and tank weighing with exceptional accuracy



Easy Install

From 10t to  
40T PER  
MODULE

With  
Lightning  
Protected  
Load Cell

Inbuilt  
uplift and  
side  
restraints

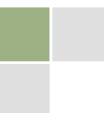
Load Cell is Rice Lake 5426  
Stainless Steel with  
Lightning Protection

Associated Scale Services Pty Ltd

Ph: +61 (0)7 3272 0077

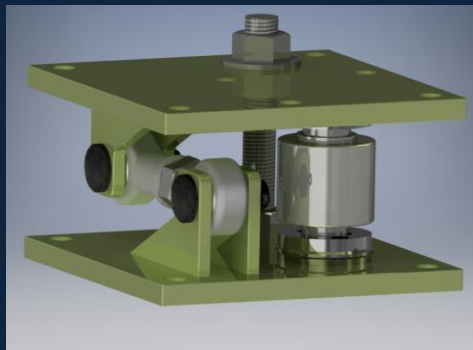
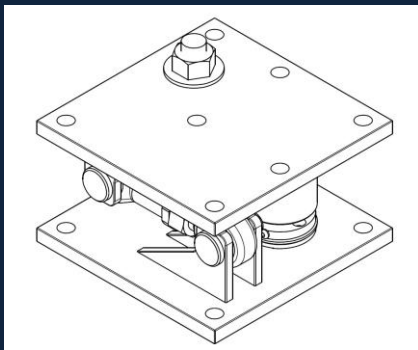
Email: [info@associatedscales.com.au](mailto:info@associatedscales.com.au)

Web: [www.associatedscales.com.au](http://www.associatedscales.com.au)



## RL5426 TWM Weighing Module

Model	Capacity
RL5426-TWM	FOR RICE LAKE RL5426 LOAD CELLS (STAINLESS STEEL)10t; 20t; 30t, 40t, 50t MILD STEEL MODULE – ZINC PLATED
RL5426-TWMS	FOR RICE LAKE RL5426 LOAD CELLS (STAINLESS STEEL)10t; 20t STAINLESS STEEL MODULE



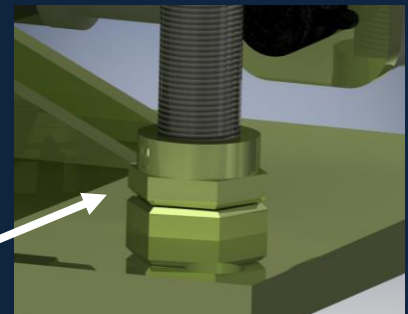
From Idea, to Concept, to a finished Manufactured Item.  
Associated Scale Services are the manufacturers.

Design Feature: UPLIFT bolt has a custom nut for alignment and uplift locking



Lock nut has a collar that allows it when in the up position to hold the mount secure with the load cell, for installation.

When down, it locks the up lift bolt in place

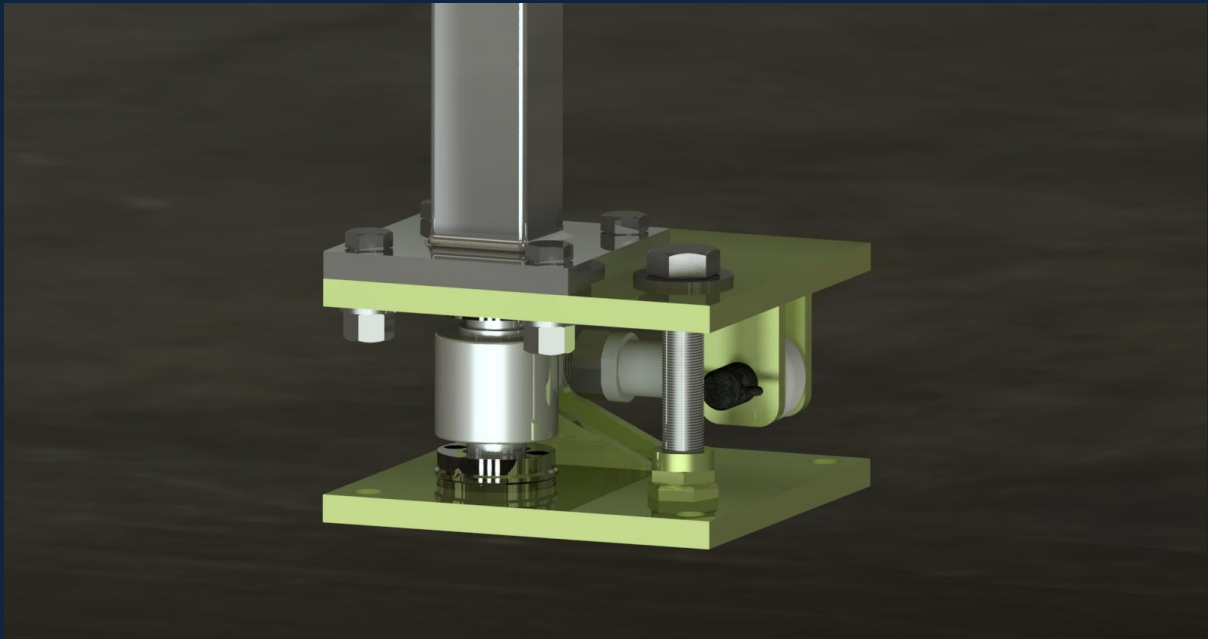


### SPECIFICATIONS

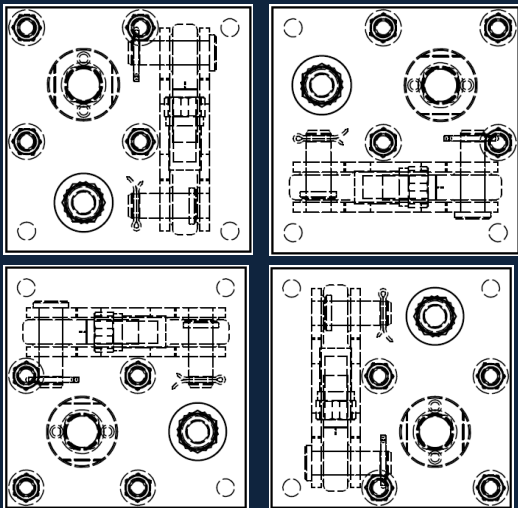
LOAD CELL TYPES	RICE LAKE 5426 Stainless Steel with Lightning Protection	10t, 20t, 30t, 40t, 50t
LOAD CELL CUPS	ANTI ROTATION	STAINLESS STEEL
UPLIFT SUPPORT	M30 X 3.5mm BOLTS	HIGH TENSILE ZINC <b>12.5t Rated</b>
SIDE SUPPORT	M30 X 2mm ROD ENDS	ZINC <b>10.8t Rated</b>
MOUNTING PINS	30MM	HIGH TENSILE

Note: please check with your engineering consultant to ensure the up lift and side supports are sufficient for your application

## INSTALLATION



### VESSEL FOOT MOUNTING ARRANGEMENT



Suggested orientation for optimum weighing and stability. 10t- 30t



( all measurements are in mm ) 10t to 30t Module

A	B	C	D	E	F	G	H	I	J
300	140	25	22	185	20	300	250	22	25

